



**High Conversion Efficiency**

High panel efficiency to guarantee high power output



**Self-Cleaning and Anti-Reflection Glass**

Coating glass for self-cleaning reduces surface dust



**Outstanding Low Irradiation Glass**

Outstanding panel performance even in weak light conditions



**Excellent Durability**

Wind load up to 2400 Pa, Snow load up to 5400 Pa



**0 ~+5W Positive Power Tolerance**



**Easy Installation**



**30**

YEARS  
PERFORMANCE  
WARRANTY

☉ 30 Years performance warranty

☉ 12 Years product warranty

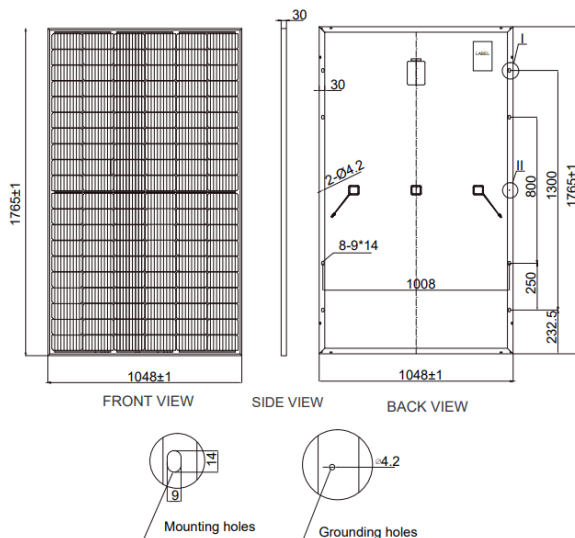


**RoHS**

ELECTRICAL CHARACTERISTICS

Model Type	BM385-ST8123
Peak Power (Pmax)	385W
Maximum Power Voltage (Vmp)	34.90V
Maximum Power Current (Imp)	11.03A
Open Circuit Voltage (Voc)	41.50V
Short Circuit Current (Isc)	11.74A
Weight	20.5 Kg
Maximum System Voltage	DC1500V
Operating Temperature	45°C
Security Class	C
Maximum Series Fuse Rating	20A
Dimension	1765×1048×30

PHYSICAL CHARACTERISTICS



ELECTRICAL CHARACTERISTICS

